

## On-Premises Rear Control Dryer

With a large load capacity in a compact frame, each one of our single dryers is all business, all the time. This Huebsch dryer features an easy-to-clean lint compartment and the industry's largest door opening (2.06 sq ft, 1,913.8 sq cm) for faster loading and unloading. Huebsch single dryers are designed to suit your needs.

### Quality

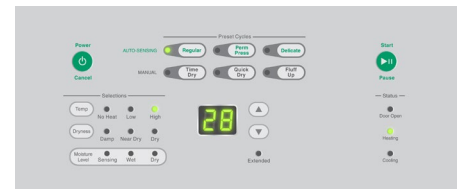
Durable, galvanized-steel cylinder with an extra-large 7 cu ft (198L) of volume handles your biggest loads.

### Efficient

Efficient dryer heating with 20,000 Btu (5,043 kCal) (gas models) and up to 5,200 W (electric models), helps keep costs down and productivity up.

### Electronic Control

The Electronic Control keeps users informed throughout the drying process with cycle-status lights and a digital cycle countdown. Users also have the flexibility to control temperature and dryness levels to achieve high levels of efficiency. Automatic (moisture-sensing) cycles come standard to prevent over-drying of your linens.



English keypad

### E-Mech Control

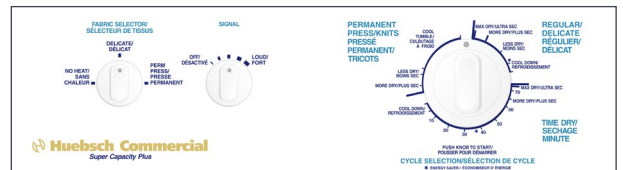
The E-Mech Control features an intuitive design offering users simple fabric selections and drying time while using cue lights to monitor progress through the drying cycle (available on rear-control models only).



Icon keypad

### Mechanical Control

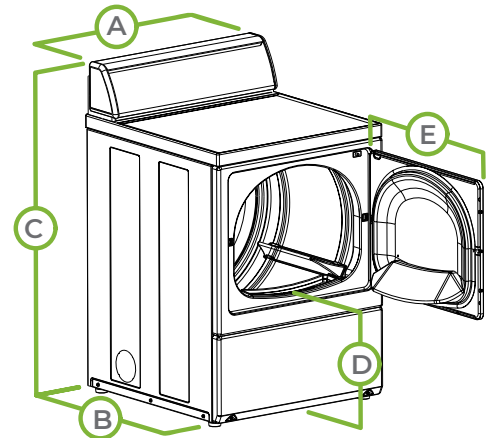
The Mechanical Control is designed for durability and is easy to operate with a multi-cycle timer knob and automatic dry cycles.



English & French language

# On-Premises **Rear Control Dryer** Specifications

SPECIFICATIONS				
AVAILABLE CONTROLS		Electronic	E-Mech	Mechanical
MODELS	Electric	YDEE7RGS173CW01 YDEE7RGS153CW01 YDEE7RGS173TW01 YDEE7RGS153TW01	HDEMNRGS173CW01	YDE3TRGS171CW01
	Gas	YDGE7RGS113CW01 YDGE7RGS113TW01	HDMNRGS113CW01	YDG3TRGS111CW01
CONTROL LOCATION		Rear		
CAPACITY - lb (kg)		18 (8.2)		
CYLINDER VOLUME - cu. Ft. (liters)		7.0 (198)		
OVERALL WIDTH - in (mm)		26.875 (683)		
OVERALL DEPTH - in (mm)		28 (711)		
OVERALL HEIGHT - in (mm)		43 (1092)		
MOTOR POWER CONSUMPTION - HP (kw)		0.33 (0.25)		
AVAILABLE HEAT SOURCES		Electric or Gas		
AVAILABLE HEATING ELEMENT (Electric W)		4750 @ 208V 5350 @ 240V		
GAS INLET CONNECTION - in (mm)		3/8 (9.5)		
GAS CONSUMPTION - BTU/Hr		22,500		
EXHAUST OUTLET DIA - in (mm)		4 (102)		
EXHAUST AIRFLOW - cfm (liters/sec)		220 (105)		
*AVAILABLE CYCLES		Regular, Perm Press, Delicate, Time Dry, Quick Dry, Fluff Up		
CYCLE INDICATOR LIGHTS		Yes		
CYLINDER FINISH		Galvanized		
AVAILABLE COLORS		White		
DOOR TYPE (Solid/Window)		Solid		
AVAILABLE ELECTRICAL REQUIREMENTS - (Voltage/Hz/Ph)		Electric: 120/240/60/1 - 30 Amp Electric: 120/208/60/1 - 30 Amp Gas: 120/60/1 - 15 Amp		
NET WEIGHT - lb (kg)		Elec/Gas 130/135 (59/61)		
SHIPPING WEIGHT - lb (kg)		Elec/Gas 140/145 (64/66)		
SHIPPING WIDTH - in (mm)		29 (737)		
SHIPPING DEPTH - in (mm)		32.75 (832)		
SHIPPING HEIGHT - in (mm)		45.5 (1156)		
AVAILABLE AGENCY APPROVALS		Elec: cUL <sub>US</sub> , Gas: cCSA <sub>US</sub>		



DIMENSIONS	
A. OVERALL WIDTH - in (mm)	26.875 (683)
B. OVERALL DEPTH - in (mm)	28 (711)
C. OVERALL HEIGHT - in (mm)	43 (1092)
D. DOOR BOTTOM TO FLOOR - in (mm)	15.44 (392)
E. DOOR SWING - in (mm)	23.5 (597)

ADA Compliant

Note: Not all options are available for all models. Refer to the price list for the available models and options. Twelfth digit in model number indicates US or Canadian unit. C=Canada and T=US.

\* Information shown applies to highest end control available.

For the most accurate information, the installation guide should be used for all design and construction purposes. Due to continuous product improvements, design and specifications subject to change without notice. The quality management system of Alliance Laundry Systems has been registered to ISO 9001.